

## GreenWall 50 and 80

### Product

GreenWall is Milford's own quality trellis system series made of stainless steel. GreenWall 50 and 80 are the classic and simple trellis spacers where the wire is threaded through the holes.

### Areas of use

The size of the wall bracket is chosen based on the trellis system's size as well as the plant species and type.

**GreenWall 50** is the smallest wall bracket, which is suited for smaller plants that are not likely to develop heavy stems.

**GreenWall 80** is for the taller plants, which gets a little heavier and requires more space between the wall and the wire.

### Description

#### GreenWall 50 (GW50/50/S) and GreenWall 80 (GW50/80/S).

- Stainless steel wall bracket for universal attachment.
- The system is installed with a maximum of 3 meters between each wall bracket.

#### GreenWall wire tensioners (GW/WT4/M6X55)

- Stainless steel wire tensioners for 4 mm wire.

**240.4** Stainless steel wire Ø4 mm.

- Wire is sold in rolls of 25, 50 and 100 meters.

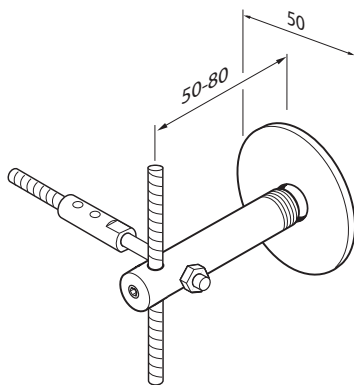
*Installed according to Milford's instructions.*



GreenWall 50

GreenWall 80

*Liveable cities*



Code	Description	Material	Distance from wall	Base plate diameter	weight/gr
GW50/50/S	Wall bracket with fixing	Stainless steel	50 mm	50 mm	155
GW50/80/S	Wall bracket with fixing	Stainless steel	80 mm	50 mm	202
GW/WT4/M6X55	Wire tensioner, 4 mm wire	Stainless steel			46
240.4	4 mm dia. wire (25, 50 or 100 m)	Stainless steel			37 gr/m